



U-drain

simple, efficient, and cost effective floor
and surface **drainage system**



Automotive Dealership



Aircraft Hanger



Fire Hall

Features & Benefits

- Factory constructed, bolt-together 9'10" (3 metre) sections.
- Maintenance free, no grates to clean or remove.
- Open slot concept which blends in neatly with surface materials.
- U-drain can be used as a centre screed, utilizing a two slope concrete pour.
- E-Z Mount Rebar Brackets are designed to reduce labour costs versus poured in place drain.
- Built using 16 gauge galvanized steel, also available in stainless steel.
- Custom drainage solutions are available upon request.
- Each section is pre-sloped 1/2" per 3 metre section.
- Galvanized cleaning paddle is also available, upon request.



Flush Nozzle



Thickened Edge



Custom Sumps



45° Bend



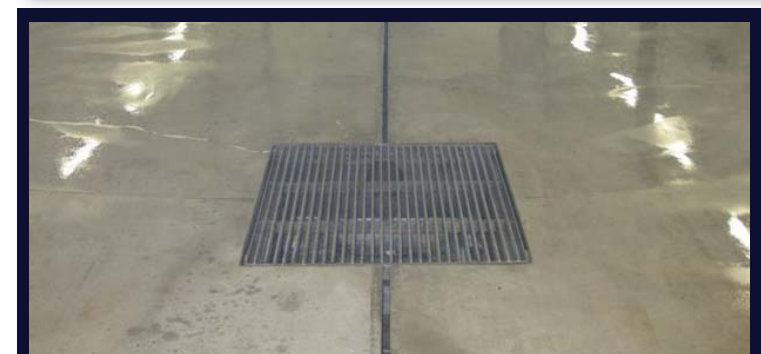
E-Z Mount Bracket



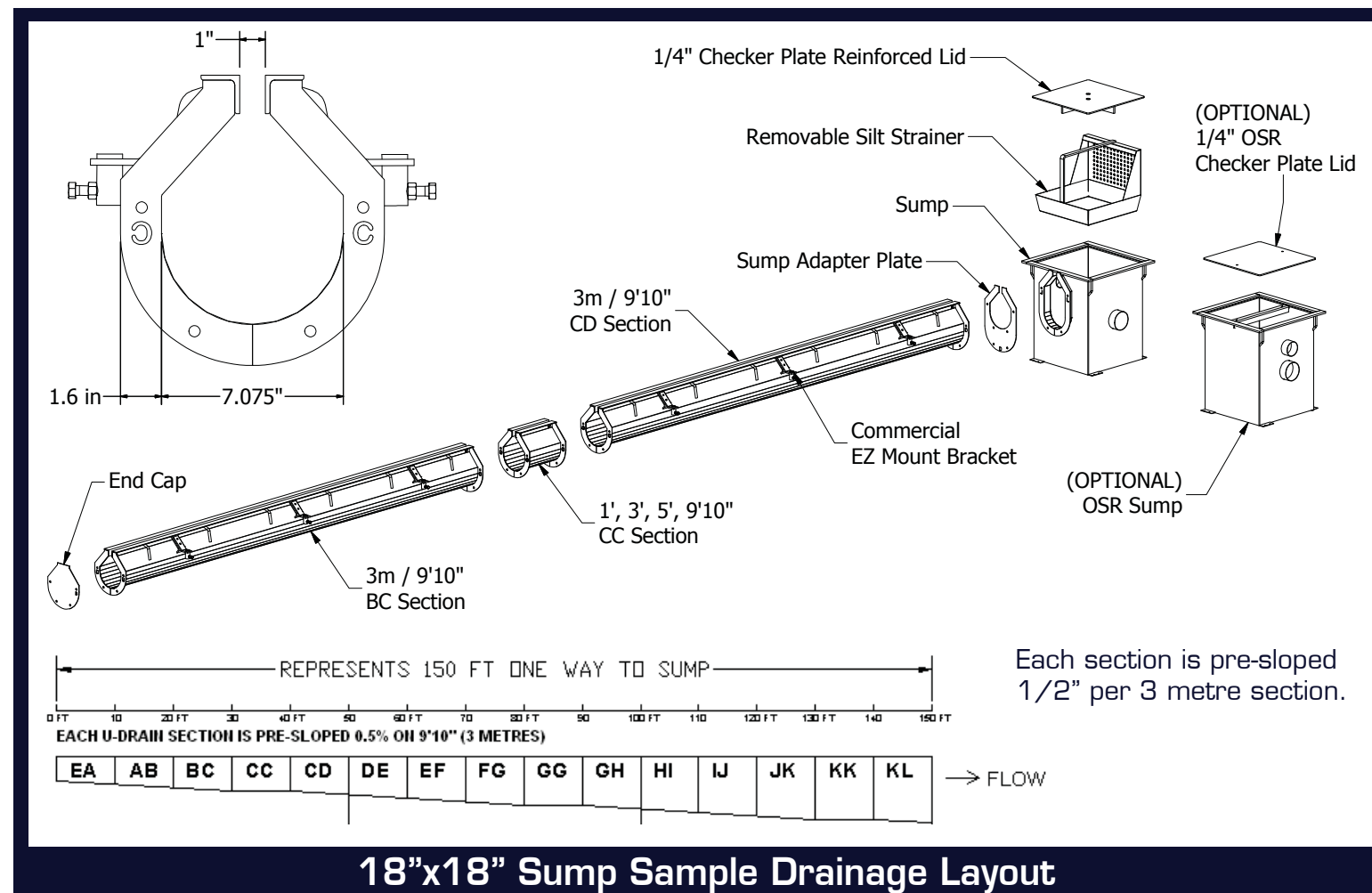
Truck Bay



Machine Shop



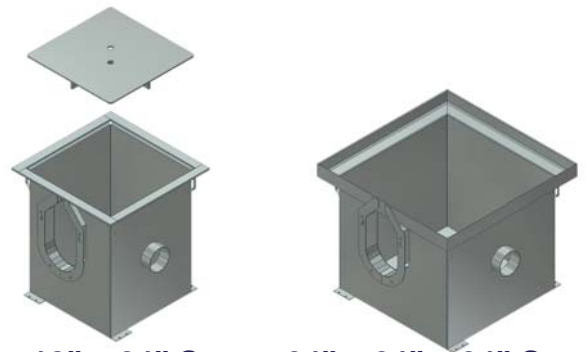
Wash Bay



Custom layouts are available upon request

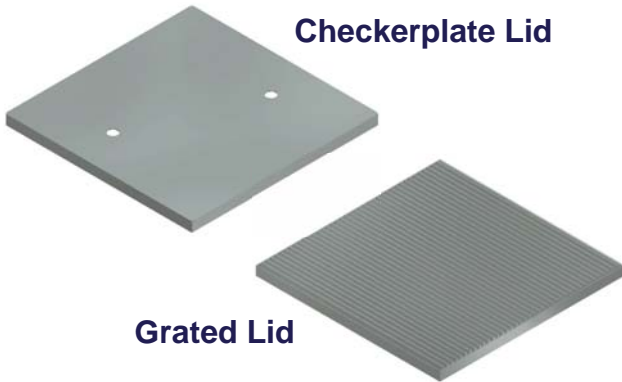
**Custom sump pit sizing available.
Oil separator pits available.**

- Available with single and dual inlet flanges
- 1/4" reinforced checkerplate lid
- Mounting tabs to secure prior to placement of concrete
- Standard 4 1/2" discharge outlet, adaptable to smaller sizes
- Silt strainer basket included with all 18" x 18" Sump Pits
- Rebar weldments for structural integrity and easy installation
- Standard 18", 24" and 36" Checkerplate and Grated lids are designed to support 8,000 lbs (exceeds HS-20 load rating)



18" x 18" x 24" Sump comes with lid
24" x 24" x 24" Sump lid sold separately

Checkerplate Lid



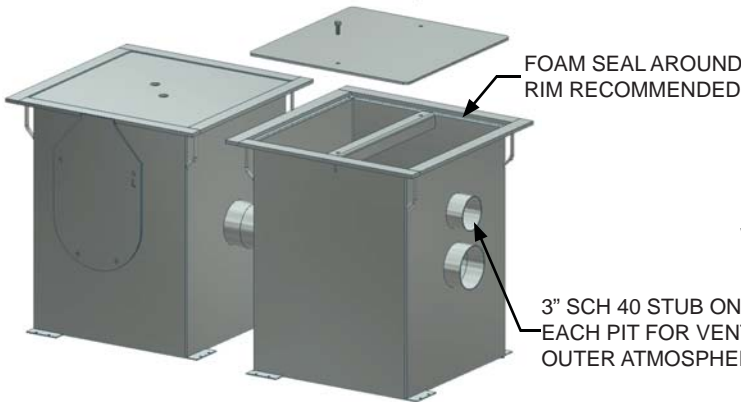
Grated Lid



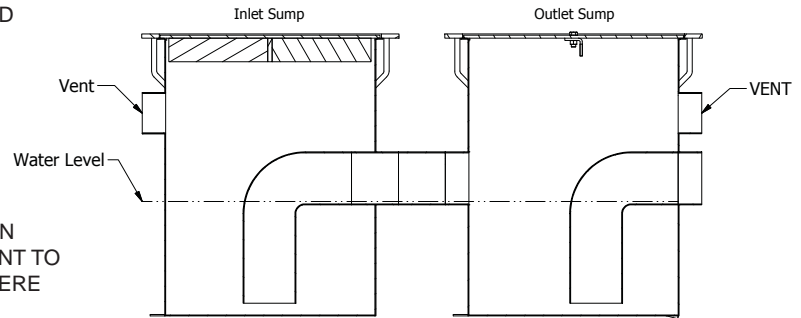
Silt Strainer Basket



36" x 36" x 36" Sump
lid sold separately



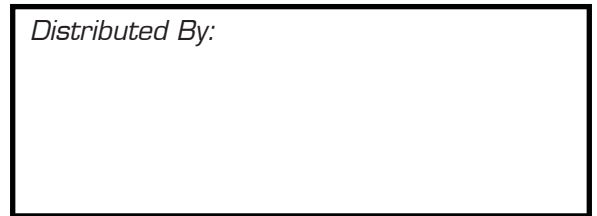
ALL ABS PLUMBING SHOULD BE COMPLETED BY A PLUMBER
BODY CONSTRUCTED WITH 14 GA MATERIAL



Sump Pits



Distributed By:



PO Box 119 RR1, Morris, Manitoba ROG 1K0
Toll Free: (855) 746-8200 Phone: (204) 746-8200
Fax: (204) 746-8074 e-mail: info@norstarindustries.ca
www.u-drain.ca

Approved By:

CAD and Specs available at ARCAT.com

